

**BRZHIIFI****PAD-3255-A**  
Stereo Amplifier**(Please read it carefully and keep it properly)**

Copyright belongs to the author. For commercial reprints, please contact the author for authorization, and for non-commercial reprints, please indicate the source.

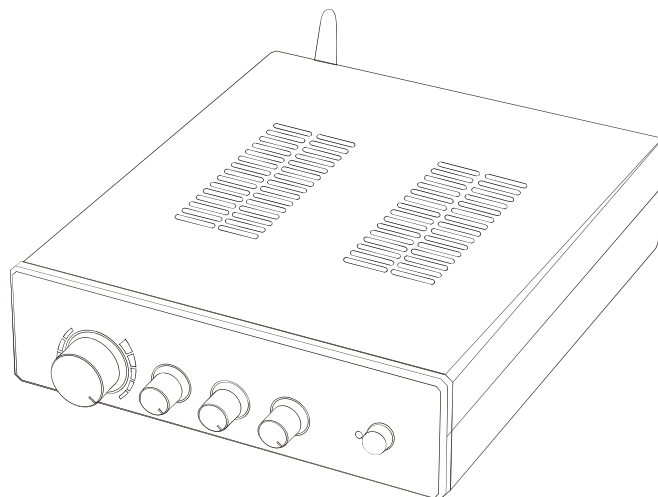
**High power digital amplifier**

PAD-3255-A effective power 300W(MAX)x2

HIFI-level high fidelity, sound effects, surging power, shocking

**Bluetooth 5.0 Bluetooth**

Adopt Qualcomm QCC3034 chip, support SBC, AAC, APTX, independent Bluetooth decoding, no pressure comparable to CD. Support Android mobile phone, Apple mobile phone, IPAD, wireless Bluetooth connection of various tablet computers.

**Bluetooth connection**

Thank you for purchasing our audio products!

The PAD-3255-A is an analog line input and high quality Bluetooth 5.0 wireless input The desktop 2.0-channel, high-mid and low-tone independently adjustable audio power amplifier.

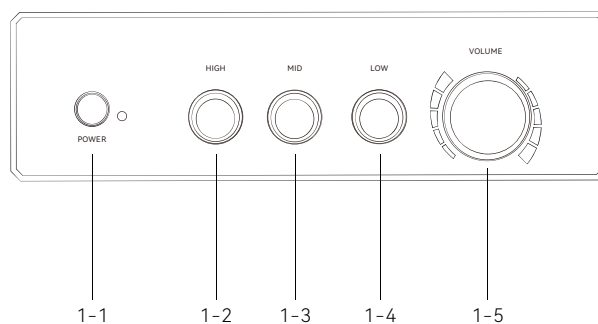
Bluetooth connection: Open the phone and enter - Settings - Bluetooth - search for "HiFi-IIS" connection pairing. After success, you can wirelessly transmit and play mobile phone music through Bluetooth.

**Packing List**

|             |     |                   |     |
|-------------|-----|-------------------|-----|
| Power cable | x 1 | Bluetooth antenna | x 1 |
| Amplifier   | x 1 |                   |     |

**Technical Specifications**

|             |                           |
|-------------|---------------------------|
| Powered by  | AC100V-240V               |
| Total power | 300Wx2                    |
| Impedance   | 4-16 Euro                 |
| Weight      | 151mm(W)*253mm(D)*78mm(H) |
| Size        | 4.22Kg                    |

**Front Panel****Figure A**

- 1 - 1 Switch
- 1 - 2 Treble (also tone switch)
- 1 - 3 Mid
- 1 - 4 Bass
- 1 - 5 Total volume

**Tone adjustment**After turning the treble knob clockwise, a click is heard, and the tone switch is turned on. The user can adjust the high, medium and low tone gain of  $\pm 10$ dB according to personal conditions.

## Back Panel

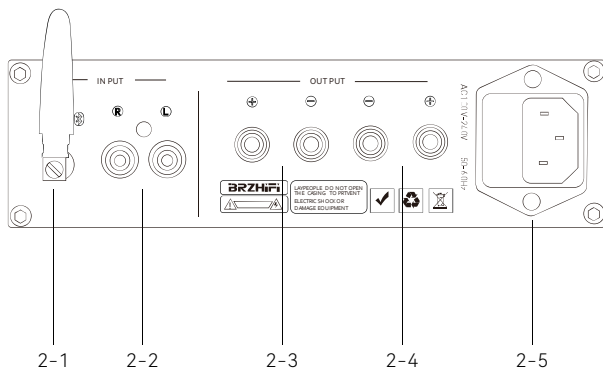


Figure B

- 2 - 1 Bluetooth antenna
- 2 - 2 Analog audio input
- 2 - 3 Right channel output
- 2 - 4 Left channel output
- 2 - 5 Power input

## Welcome

Dear customer!

The internal structure of the product is complex, and a variety of vital components are matched with each other. It takes a certain running-in period to reach the ideal state designed by the engineer. During this period, you can let the equipment work continuously for a period of time, or you can accumulate the equipment to achieve a best status period. Effect, in this way, the fineness of the sound can be effectively improved, it becomes round, smooth and elastic, the large dynamic is more powerful, and the overall sense of depth in the vertical direction is also improved. The position of the angle is placed to achieve the best listening effect with the actual environment.

**Strict requirements from the point to the surface from the inside out!**

### ① Exterior

The fuselage is made of aluminum alloy metal shell, which has both good thermal conductivity and durability.

### ② Circuit

High-density integrated PCB circuit design, 100% line detection without breakpoints; 2 times higher than the industry standard for high-conductivity copper-laying materials; the shortest and most efficient routing method reduces external interference, reasonable design and layout, to achieve the purpose of high fidelity.

### ③ Raw material

The company purchases directly from the original material manufacturers, and conducts random inspections and comparisons to ensure the uniformity of batch specifications and performance indicators and reduce negative effects such as errors.

### ④ Production

Fully automated mechanical production equipment to ensure production efficiency and stable supply;

### ⑤ Profession

Personnel technical operation training, each production line learns from each other and exchanges experience.

### ⑥ Detect

100% of the factory products have been tested and inspected by technology to ensure that you can use them with confidence.

## Operation

### Common usage examples

#### 1. Wired connection to play computer audio

- ① Turn off all the power amplifier knobs counterclockwise;
- ② Connect the power amplifier output port to the speaker terminal;
- ③ Insert the power cord into the AC jack of the power amplifier first, and then connect it to the AC 100V~240V mains; Press the power switch, the indicator light is on, and the amplifier is turned on;
- ④ Play computer music;

#### 2. Wireless Bluetooth connection to play mobile phone audio

- ① Turn on the phone and enter - Settings - Bluetooth - search for "HiFi-IIS" connection pairing;
- ② Play mobile phone music;

Power off: Turn the master volume knob counterclockwise to turn off the amplifier after listening.

(Note: If you do not use the power amplifier for a long time, please disconnect the power supply and the mains; for low-carbon environmental protection, do your part, everyone is responsible.)

There are many ways to use the power amplifier, Don't List here. Please connect with customer service.

## Troubleshooting

### ① Can't turn on

Please fully contact and plug the power cord with the AC input port of the power amplifier, and check or select the power socket or power outlet of other wall mains.

### ② RCA play no sound

The signal selection is Bluetooth priority, please check whether the mobile phone is connected to the power amplifier, and turn off the Bluetooth of the mobile phone to return to the RCA playback mode.

### ③ Only one channel has sound

Whether there is the same problem when switching the two input methods, please use one speaker to test the left and right channels in turn. or please check the input signal and signal cable.

### ④ Can't find the Bluetooth of the amplifier

1. Turn off the power amplifier for about a minute and then turn it on again to search for connections.
2. Bluetooth is occupied. When mobile phone A is connected to the power amplifier, mobile phone B can no longer search for the power amplifier. At this time, turn off the Bluetooth of mobile phone A, and mobile phone B can search and connect to the power amplifier.

### ⑤ There is abnormal noise inside the power amplifier

The power amplifier uses relays to select and switch wired and wireless signals. When the Bluetooth connection is paused, it will drive the relays to work and make a clicking sound, which is a normal phenomenon.