

**BRZHIFI****PAD-M3**

High-fidelity Audio Preamplifier

(Please read it carefully and keep it properly)

Copyright belongs to the author. For commercial reprints, please contact the author for authorization, and for non-commercial reprints, please indicate the source.

## Features

### ① Function

Solve the needs of more than 95% of power amplifier users. It can not only connect to mobile phone Bluetooth to achieve ultra-high-definition wireless transmission, but also can be connected to home TV coaxially. SUB ultra-low output port can better achieve the sound quality of home theater. Bass tone adjustment is the most stable and efficient solution for different users to achieve perfect sound quality.

### ② Effect

Using the current leading Infineon MA12070 power amplifier core to achieve ultra-low distortion and ultra-high conversion efficiency, using BRZHIFI's unique routing circuit optimization and decades of audio circuit precipitation accumulation, the overall sound line has reached a higher level, unique With smooth and tactful treble details, delicate and full vocal charm, and rich and natural low-frequency performance, I look forward to your appreciation!

## Preparation

Thank you for purchasing the Bosheng M3 amplifier.

The basic use and collocation of M3 power amplifier:

### Audio signal input:

- ① Wireless Bluetooth audio signal input (usually can be connected to Bluetooth devices such as smartphones, tablet computers, smart TVs, etc.);
- ② AUX-3.5 wired analog audio signal input (usually can be connected to mobile phones, computers, MP3, CD players and other equipment with analog signal output);
- ③ Coaxial digital signal input (usually can be connected to digital TV, computer, player, CD player and other equipment)

### Amplifier power output:

Left and right channels, stereo output. (Only connect passive constant-impedance speakers; the input impedance is between 4~8Ω ohms).

### Amplifier power supply:

Suitable for 12~24V DC DC power supply, the interface is 5.5\*2.5mm, the inner positive and the outer negative.

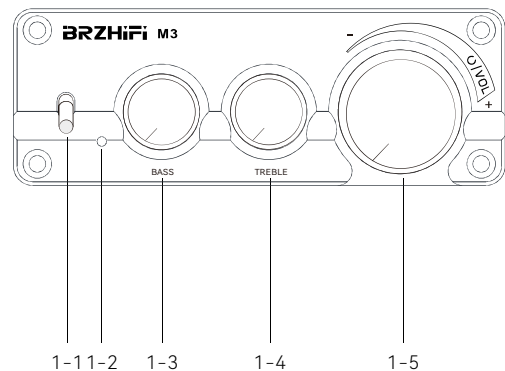
## Packing List

Power cable	x 1	Bluetooth antenn	x 1
Amplifier	x 1	Warranty Card	x 1
Manual	x 1	Certificate	x 1

## Technical Specifications

Amplifier chip	Infineon MA12070
Bluetooth chip	Qualcomm QCC5125
Supporting agreement	SBC/AAC/APTX/APTX-HD/ APTX Adaptive/LDAC
Size	100 * 30 * 101 MM
Net weight	365g
Input power	DC12~24V
Input signal	AUX/BT(Bluetooth)/COAX(Coaxial)
Max output power	80W*2 @4Ω ;40W*2 @8Ω
Frequency Range	18hz~25khz
Distortion	0.001% @1khz
Signal to noise ratio	110dB

## Front Panel

**Figure a**

- |       |   |
|-------|---|
| 1 - 1 | Signal switch   |
| 1 - 2 | indicator light: Bluetooth input: Bluetooth<br>Coaxial input: purple<br>Power/AUX Input: Red                          |
| 1 - 3 | Bass gain adjustment  |
| 1 - 4 | Treble gain adjustment + tone switch<br>(knob turned off to minimum volume high and low tonesadjustment function off) |
| 1 - 5 | Power switch + master volume<br>(When the knob is turned to the minimum volume, the amplifier will be turned off)     |

# BRZHIFI

## PAD-M3

### High-fidelity Audio Preamplifier

(Please read it carefully and keep it properly)

Copyright belongs to the author. If you have any questions, please contact the author for authorization, and do not commercial reprint, please indicate the source.

## Features

### ① Function

Solve the needs of more than 95% of power amplifier users. It can not only connect to mobile phone Bluetooth to achieve ultra-high-definition wireless transmission, but also can be connected to home TV coaxially. SUB ultra-low output port can better achieve the sound quality of home theater. Bass tone adjustment is the most stable and efficient solution for different users to achieve perfect sound quality.

### ② Effect

Using the current leading Infineon MA12070 power amplifier core to achieve ultra-low distortion and ultra-high conversion efficiency, using BRZHIFI's unique routing circuit optimization and decades of audio circuit precipitation accumulation, the overall sound line has reached a higher level. Unique With smooth and tactful treble details, delicate and full vocal charm, and rich and natural low-frequency performance. I look forward to your appreciation!

## Preparation

Thank you for purchasing the Bosheng M3 amplifier.

The basic use and collocation of M3 power amplifier:

### Audio signal input:

- ① Wireless Bluetooth audio signal input (usually can be connected to Bluetooth devices such as smartphones, tablet computers, smart TVs, etc.);
- ② AUX-3.5 wired analog audio signal input (usually can be connected to mobile phones, computers, MP3, CD players and other equipment with analog signal output);
- ③ Coaxial digital signal input (usually can be connected to digital TV, computer, player, CD player and other equipment)

### Amplifier power output:

Left and right channels, stereo output. (Only connect passive constant-impedance speakers; the input impedance is between 4-8Ω ohms).

### Amplifier power supply:

Suitable for 12-24V DC DC power supply, the interface is 5.5\*2.5mm, the inner positive and the outer negative.

## Back Panel

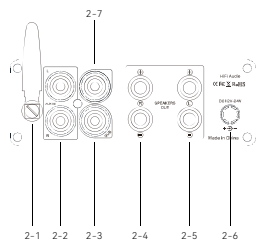


Figure b

- 2-1 Bluetooth antenna
- 2-2 AUX analog audio input
- 2-3 Active bass output
- 2-4 Right channel output
- 2-5 Left channel output
- 2-6 DC power supply DC12-24V / 5.5\*2.5 input port
- 2-7 COAX coaxial input
- COAX coaxial input

## Welcome

Hello dear customer!

The internal structure of the product is complex, and a variety of vital components are matched with each other. It takes a certain running-in period to reach the ideal state designed by the engineer. During this period, you can let the equipment work continuously for a period of time, or you can accumulate the equipment to achieve a burn-in period. Effect; in this way, the fineness of the sound can be effectively improved, it becomes round, smooth and elastic, the large dynamic is more powerful, and the overall sense of depth in the vertical direction is also improved. The position of the angle is placed to achieve the best listening effect with the existing environment.

Strict requirements from the point to the surface from the inside out!

### ① Exterior

The fuselage is made of aluminum alloy metal shell, which has both good thermal conductivity and durability.

### ② Circuit

High-density integrated PCB circuit design, 100% line detection without breakpoints, 2 times higher than the industry standard for high-conductivity copper-laying materials; the shortest and most efficient routing method reduces external interference, reasonable design and layout, to achieve the purpose of high fidelity.

### ③ Raw material

The company purchases directly from the raw material manufacturers, and conducts random inspections and comparisons to ensure the uniformity of batch specifications and performance indicators and reduce negative effects such as errors.

### ④ Production

Fully automated mechanical production equipment to ensure production efficiency and stable supply.

### ⑤ Profession

Personnel technical operation training, each production line learns from each other and exchanges experience.

### ⑥ Detect

100% of the factory products have been tested and inspected by technology to ensure that you can use them with confidence.

## Packing List

Power cable	x 1	Bluetooth antenn	x 1
Amplifier	x 1	Warranty Card	x 1
Manual	x 1	Certificate	x 1

## Technical Specifications

Amplifier chip	Infineon MA12070
Bluetooth chip	Qualcomm QCC5125
Supporting agreement	SBC/AAC/APTX/APTX-HD/ APTX Adaptive/LDAC
Size	100 * 30 * 101 MM
Net weight	365g
Input power	DC12-24V
Input signal	AUX/BT(Bluetooth)/COAX(Coaxial)
Max output power	80W*2 @4Ω ;40W*2 @8Ω
Frequency Range	18hz-25khz
Distortion	0.001% @1khz
Signal to noise ratio	110dB

## Front Panel

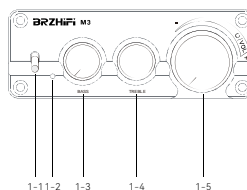


Figure a

- 1-1 Signal switch
- 1-2 indicator light: Bluetooth input: Bluetooth  
Coaxial input: purple  
Power/AUX input: Red
- 1-3 Bass gain adjustment
- 1-4 Treble gain adjustment + tone switch  
(knob turned off to minimum volume high and low tones adjustment function off)
- 1-5 Power switch + master volume  
(When the knob is turned to the minimum volume, the amplifier will be turned off)

## Operation

### Common usage examples:

#### 1. Wired connection to play computer audio

- ① Turn off all the power amplifier knobs counterclockwise;
- ② Connect the AUX interface of the power amplifier to the playback device;
- ③ Connect the power amplifier output port to the speaker terminal;
- ④ First insert the DC terminal of the power supply into the DC jack of the power amplifier, and then connect the 220V plug to the mains;
- ⑤ Rotate the main volume knob of the power amplifier clockwise, the indicator light is on, and the power amplifier is turned on;
- ⑥ Toggle the switch to the AUX input channel, the red indicator lights up, playing computer music.

#### 2. Wireless Bluetooth connection to play mobile phone audio

- ① Open the phone and enter - Settings - Bluetooth - search for "HiFi-Spiff" connection pairing;
- ② Toggle the switch to the Bluetooth input channel, the blue indicator light is on, and the mobile phone music is played; Power off: Turn the master volume knob counterclockwise to turn off the amplifier after listening.  
(Note: If you do not use the power amplifier for a long time, please disconnect the 220V connection plug of the power supply and the mains; everyone is responsible for low carbon and environmental protection.)  
There are many ways to use the power amplifier, please forgive me for not listing them one by one.

## Troubleshooting

### ① Can't turn on

Check whether the power adapter indicator is on, if the indicator is not on, the power adapter is faulty. If the indicator lights up normally, check the connection between the power amplifier and the power adapter, or follow the steps to reconnect it again.

### ② The cable is connected but there is no sound

Check whether the signal selection switch is on the input signal channel, observe whether the indicator light corresponds to the signal input, switch other channels and use other corresponding signals to test whether the power amplifier of other channels is normal.

### ③ Only one channel has sound

Whether there is the same problem when switching the two input methods, yes; please use one speaker to test the left and right channels in turn. No; please check the input signal and signal cable.

### ④ Can't find the Bluetooth of the amplifier

1. Turn off the power amplifier for about a minute and then turn it on again to search for connections.
2. Bluetooth is occupied. When mobile phone A is connected to the power amplifier, mobile phone B can no longer search for the power amplifier. At this time, turn off the Bluetooth of mobile phone A, and mobile phone B can search and connect to the power amplifier.

### ⑤ There is abnormal noise inside the power amplifier

The power amplifier uses relays to select and switch wired and wireless signals. When the Bluetooth connection is paused, it will drive the relays to work and make a clicking sound, which is a normal phenomenon.